

1 2 3 4 5 6 7 8

A A

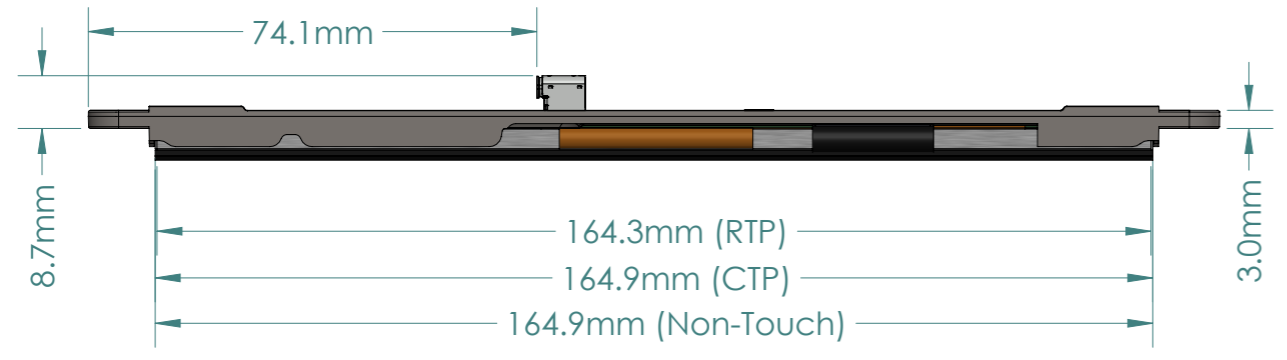
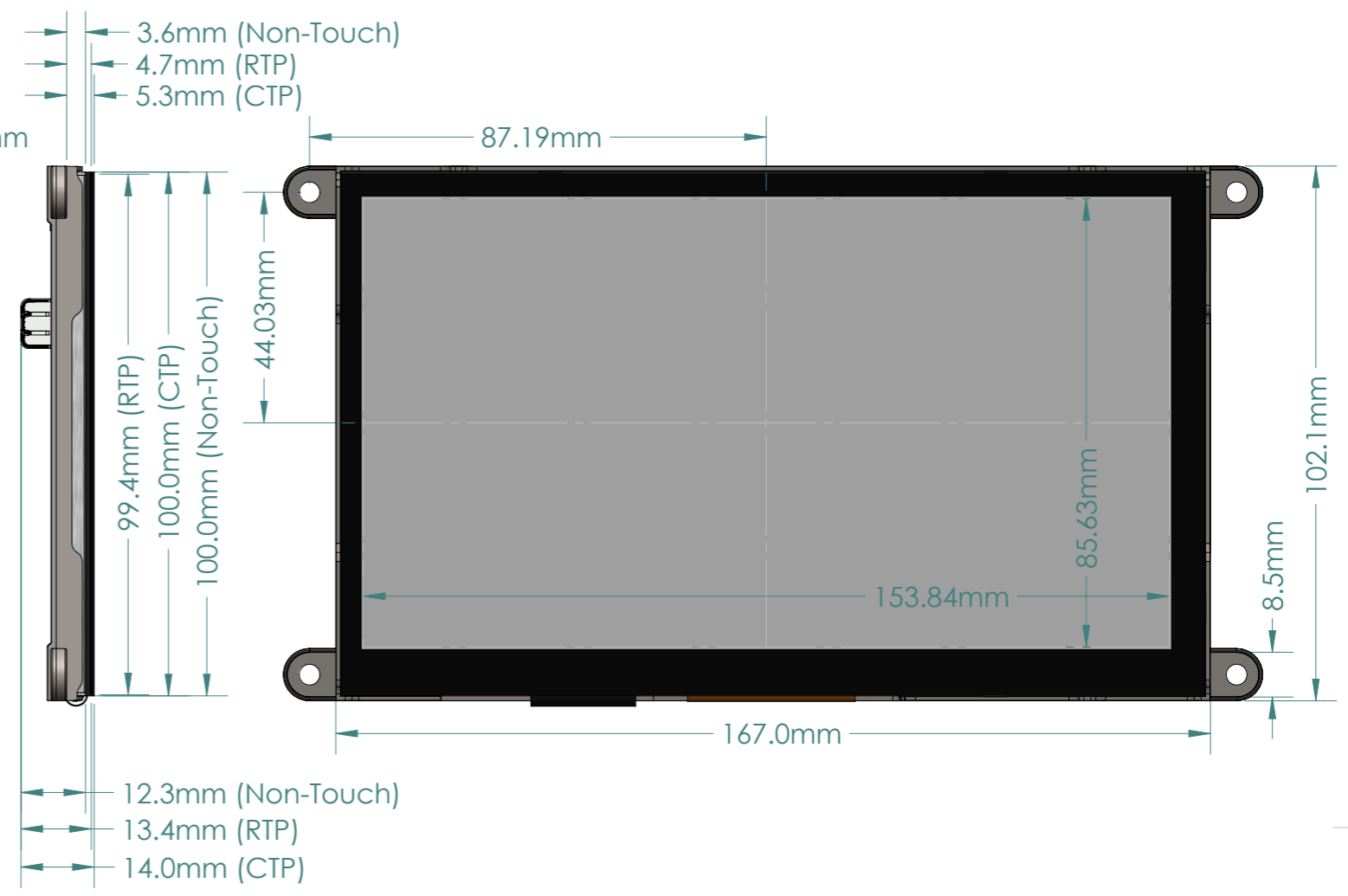
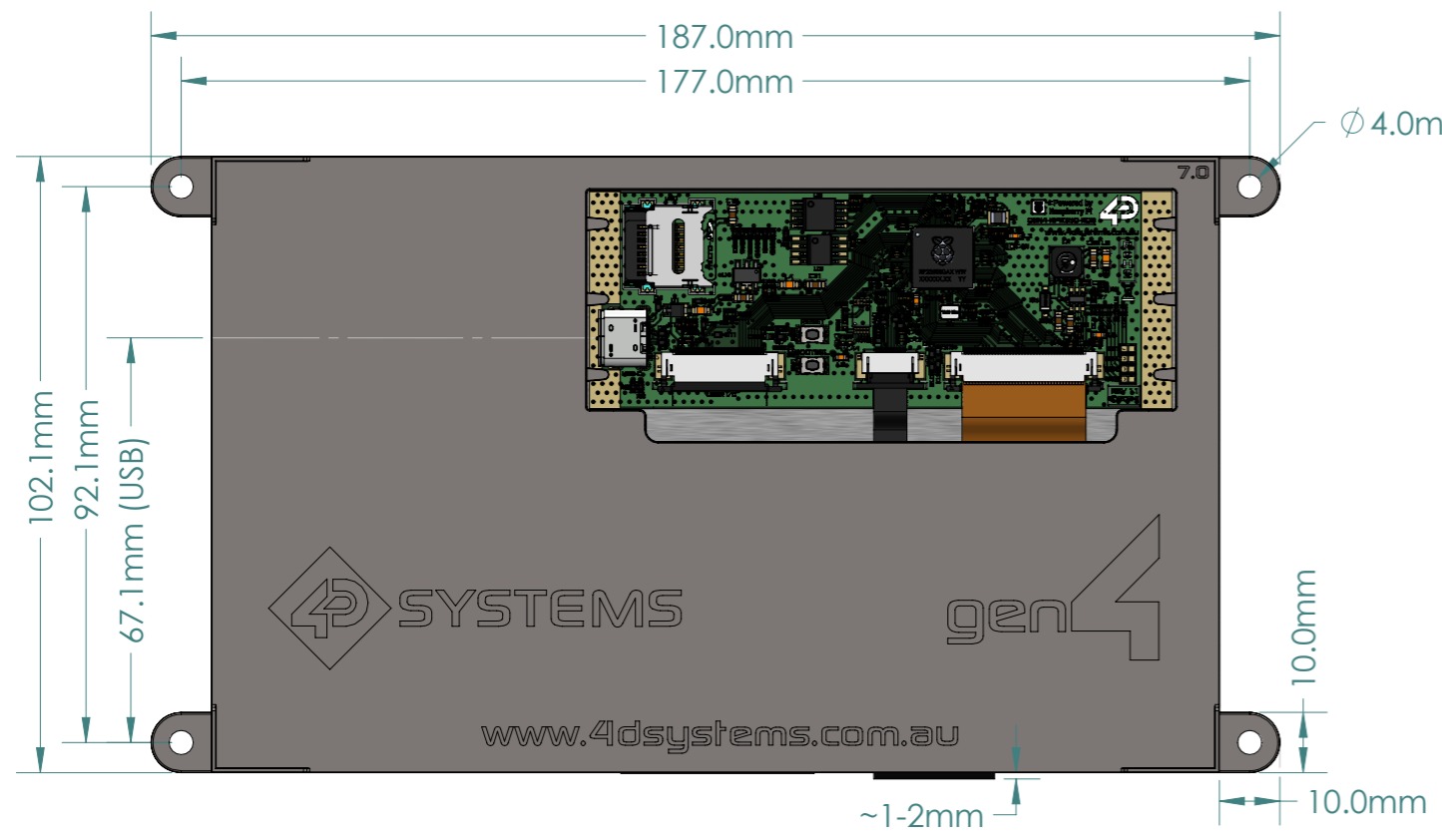
B B

C C

D D

E E

F F



UNLESS OTHERWISE SPECIFIED:
 DIMENSIONS ARE IN MILLIMETERS
 SURFACE FINISH:
 TOLERANCES:
 LINEAR: 0.3mm
 ANGULAR:

TITLE: gen4-RP2350-70 / gen4-RP2350-70T / gen4-RP2350-70CT
 Non-Touch / Resistive Touch (RTP) / Capacitive Touch (CTP)

A3

	NAME	DATE
DRAWN	4D	06/08/2024
CHK'D		
APPV'D		

