

PADS TO LCD GLASS/RTP/CTP/BACKLIGHT

LCD GLASS

D0	PAD 1
D1	PAD 2
D2	PAD 3
D3	PAD 4
D4	PAD 5
D5	PAD 6
D6	PAD 7
D7	PAD 8
D8	PAD 9
D9	PAD 10
D10	PAD 11
D11	PAD 12
D12	PAD 13
D13	PAD 14
D14	PAD 15
D15	PAD 16
DISP-RES	PAD 17
DISP-RD	PAD 18
DISP-DC	PAD 19
DISP-WR	PAD 20
DISP-CS	PAD 21

TOUCH

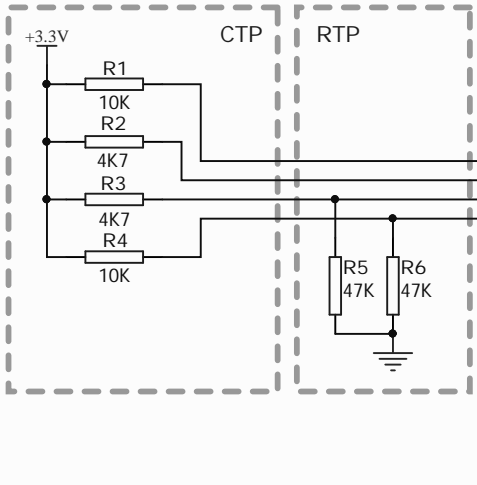
YD/INT/IO10	PAD 22
XR/SDA/IO11	PAD 23
XL/SCL/IO8	PAD 24
YU/RES/IO9	PAD 25

BACKLIGHT

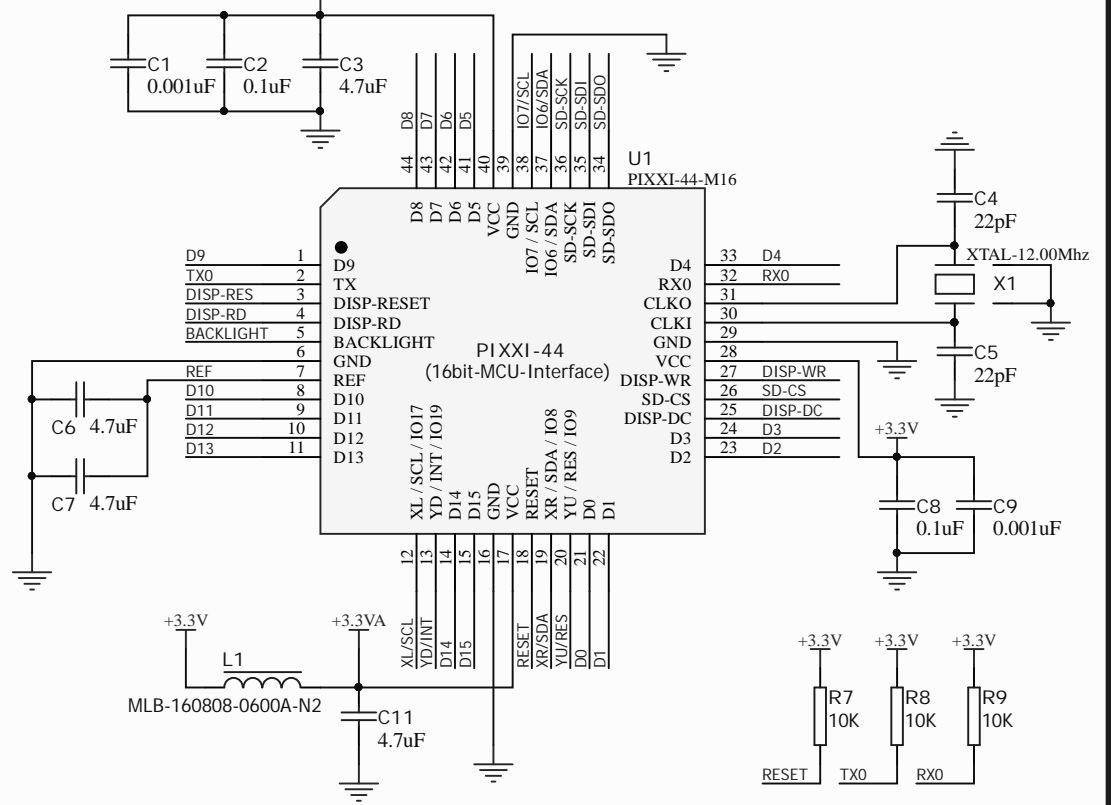
LEDA	PAD 26
LEDK1	PAD 27
LEDK2	PAD 28
LEDK3	PAD 29
LEDK4	PAD 30
LEDK5	PAD 31
LEDK6	PAD 32

PAD 33	
PAD 34	

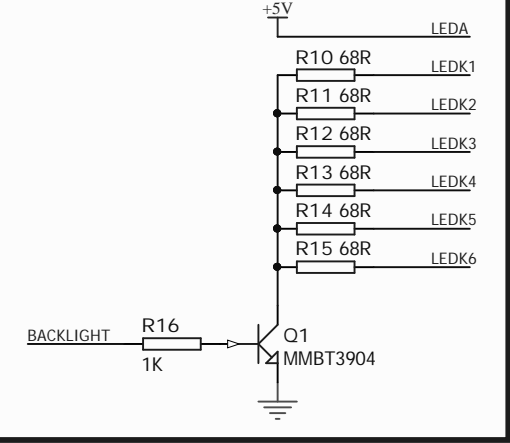
Ensure DISP-CS to your Display is connected to Ground, as there is no Processor connection in Mode 4



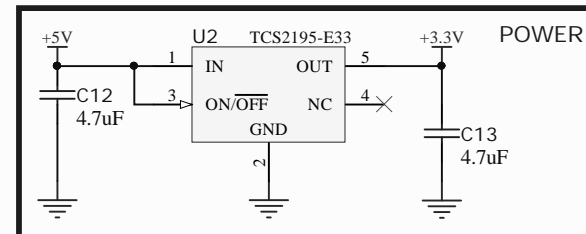
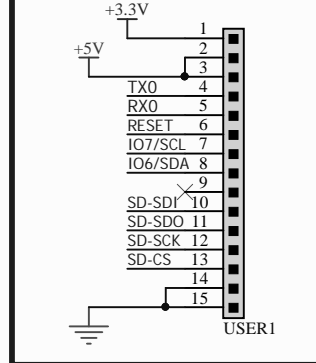
PROCESSOR



BACKLIGHT



EXTERNAL INTERFACE



http://www.4dlabs.com.au

Title: ref-PIXXI44-MODE4

Revision: 1.1

Date: 3/12/2019

Time: 3:28:47 PM

File: ref-PIXXI44-MODE4_REV1.1.SchDoc