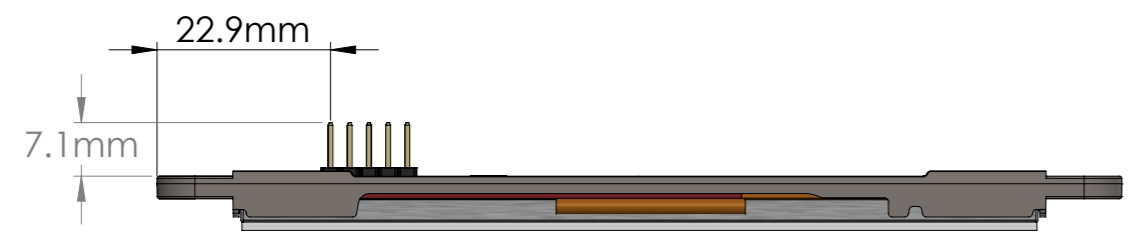
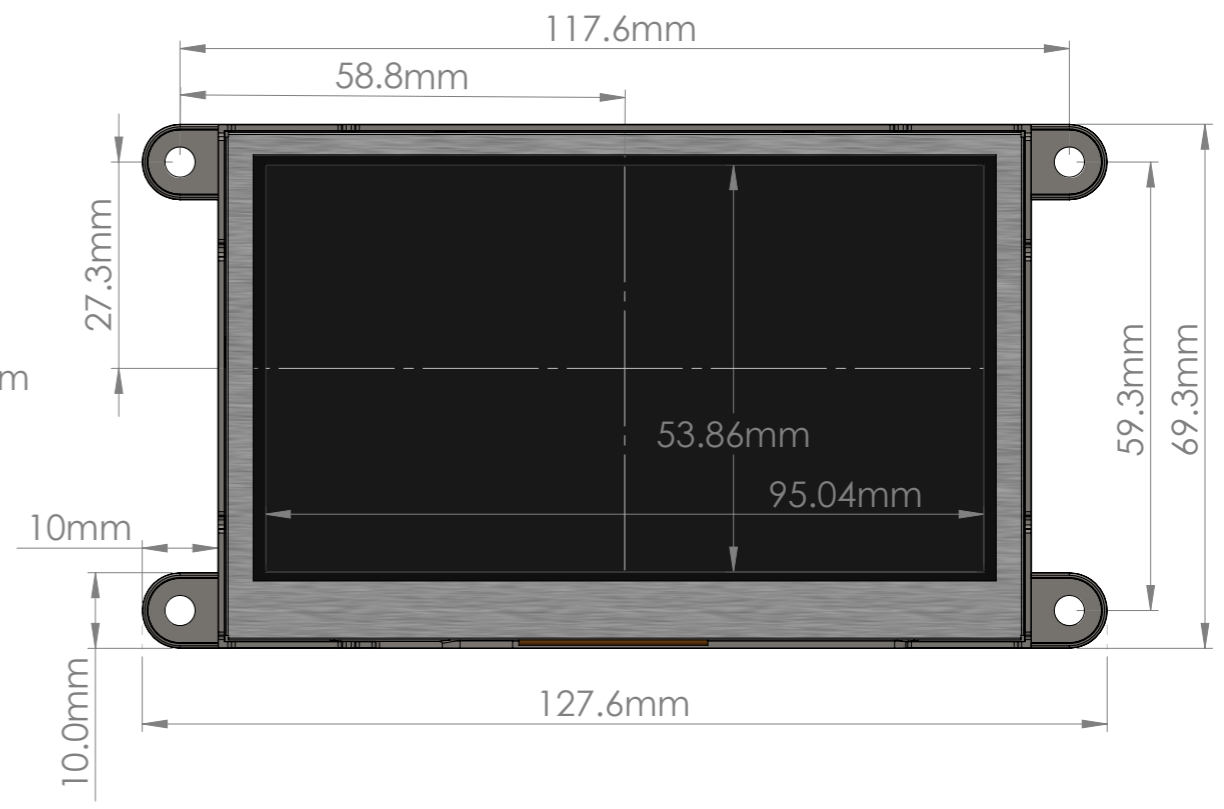
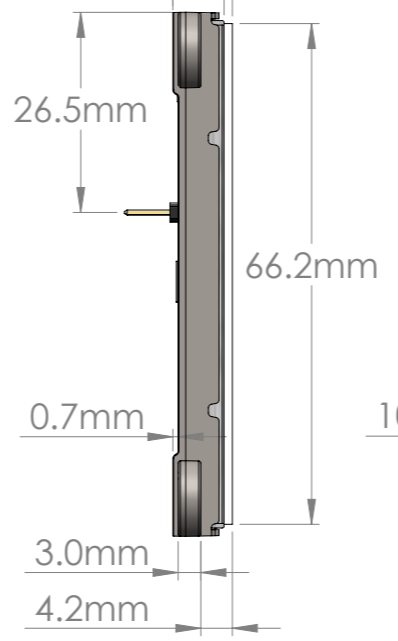


7.9mm (Resistive Touch)
6.8mm (Non-Touch)



UNLESS OTHERWISE SPECIFIED:
DIMENSIONS ARE IN MILLIMETERS
SURFACE FINISH:
TOLERANCES:
LINEAR: 0.3mm
ANGULAR:

TITLE: gen4-uLCD-43P4/T - 4.3" (non-Touch / Resistive Touch)

A3

	NAME	DATE
DRAWN	4D	06/07/2022
CHK'D		
APPV'D		

