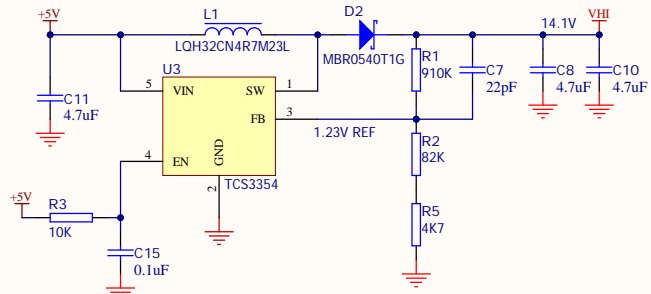
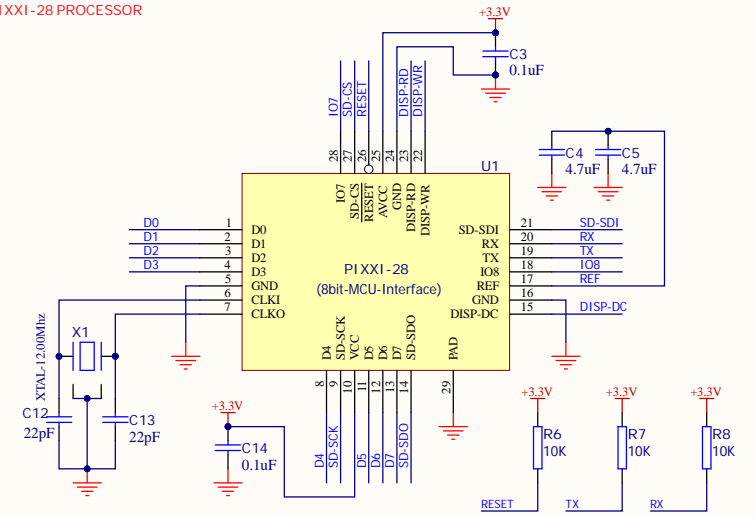


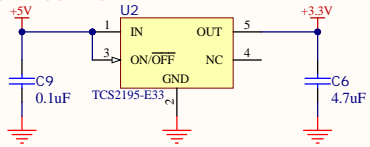
OLED HV BOOST CIRCUIT



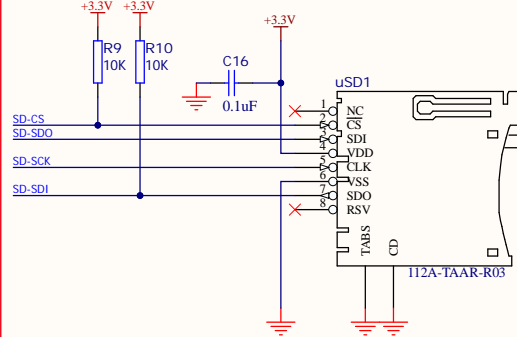
PIXXI-28 PROCESSOR



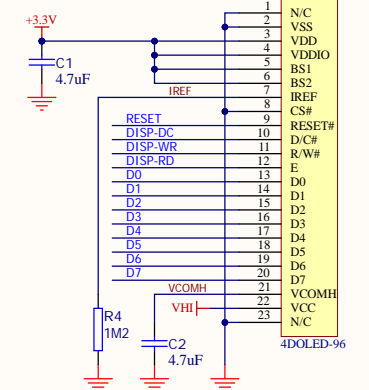
3.3V REGULATOR



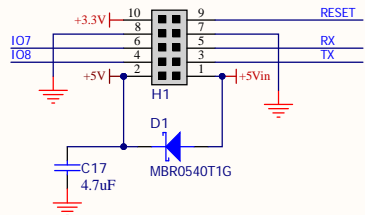
micro-SD CONNECTOR



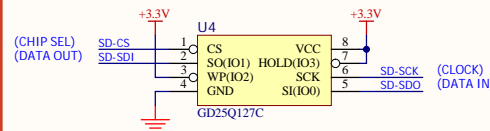
96 OLED



I/O Interface



FLASH MEMORY - SPI BUS



<http://www.4dsystems.com.au>

Title: uOLED-96-P2

Revision: 1.0

Date: 17/05/2022

Time: 4:47:04 pm

File: uOLED-96P2-REV1.0.SchDoc

