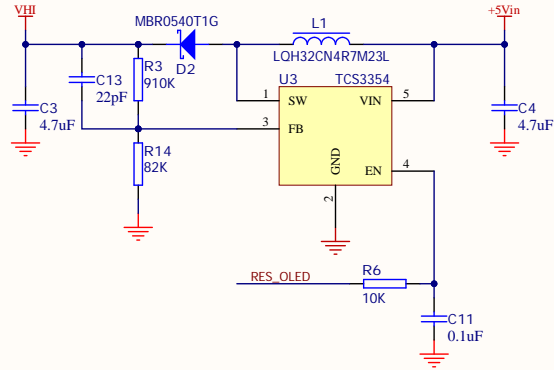
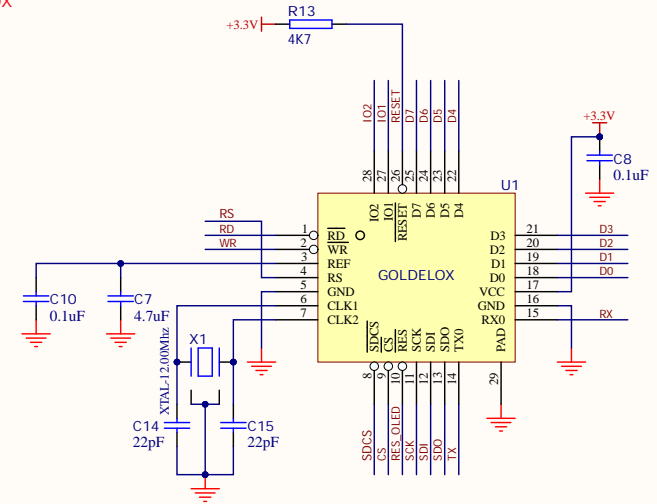


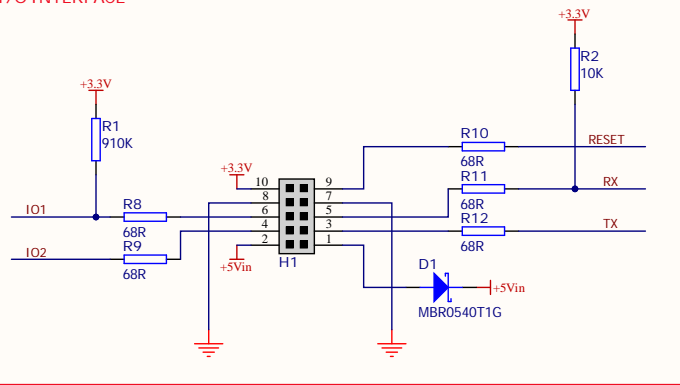
OLED High Voltage



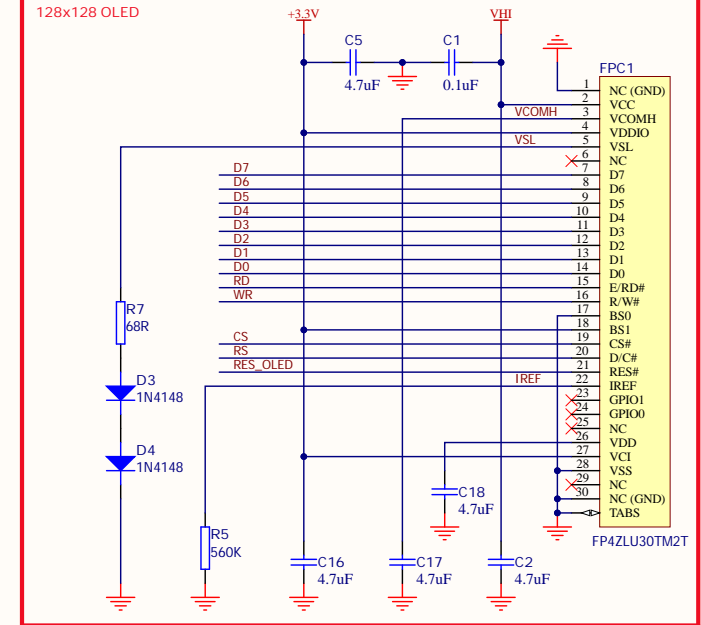
GOLDELOX



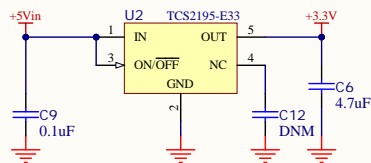
I/O INTERFACE



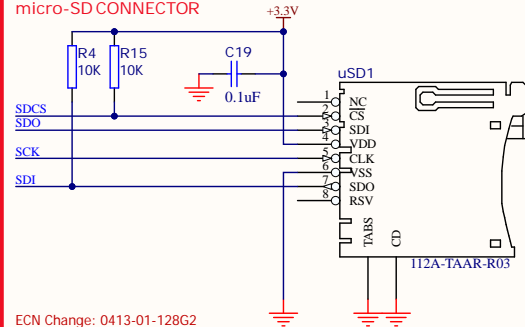
128x128 OLED



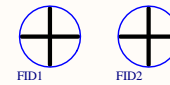
3.3V REGULATOR



micro-SD CONNECTOR



ECN Change: 0413-01-128G2



Title: uOLED-128G2

Revision: 4.1

Date: 25/01/2021

Time: 5:25:35 PM

File: uOLED-128G2-REV4.1.SchDoc



<http://www.4dsystems.com.au>