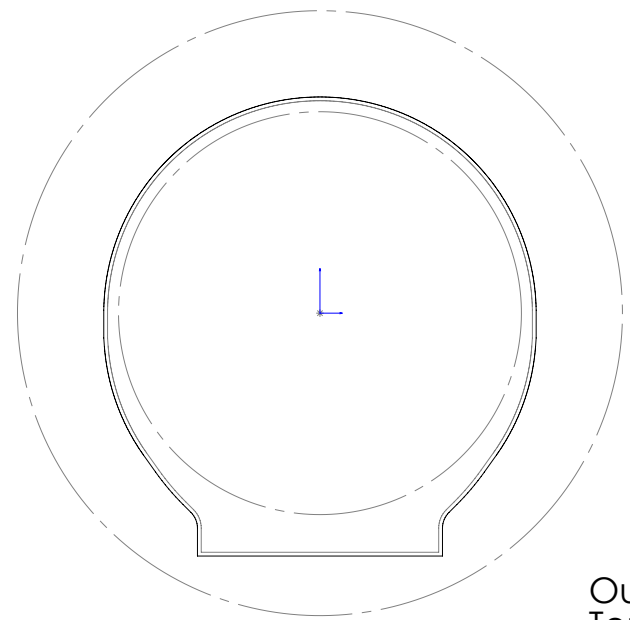


6 5 4 3 2 1

D

Template - Print 1:1 to aid cutting



C

B

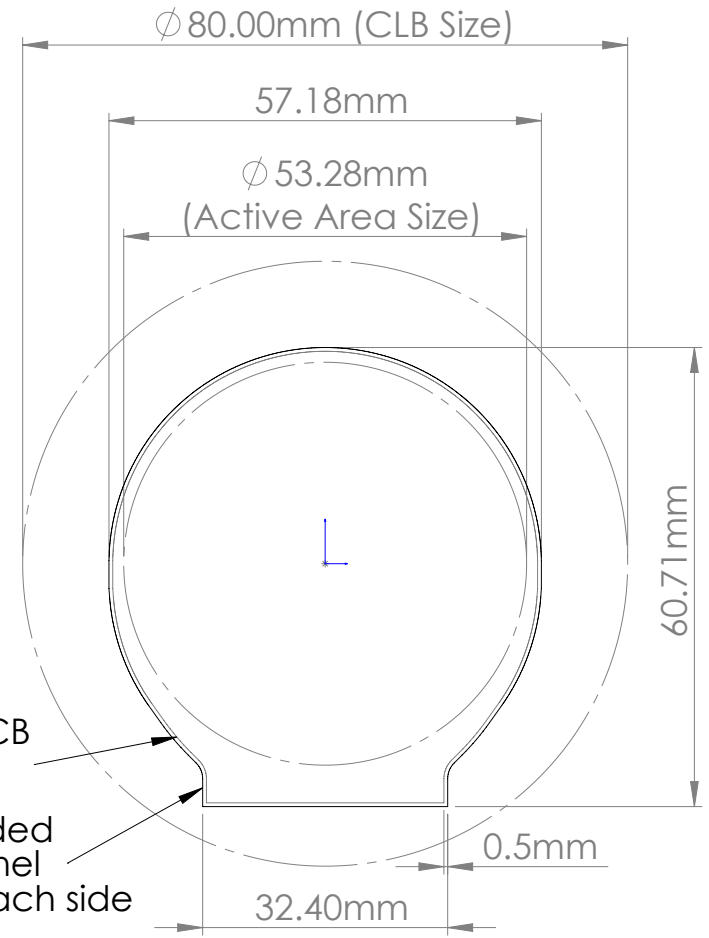
A

D

C

B

A



Inner Line is the PCB & LCD actual size

Outer Line is the recommended Template Line for cutting Panel Actual + 0.5mm added to each side

UNLESS OTHERWISE SPECIFIED: DIMENSIONS ARE IN MILLIMETERS SURFACE FINISH: TOLERANCES: LINEAR: 0.1mm ANGULAR:				FINISH:		DEBURR AND BREAK SHARP EDGES		DO NOT SCALE DRAWING		REVISION 1.0	
								4D Systems Pty Ltd			
DRAWN		NAME		SIGNATURE		DATE		TITLE:			
		4D				29/01/2024		uLCD-480RD-CLB (non-Touch & CTP) TEMPLATE FOR PANEL CUTOUT			
CHK'D											
APPV'D											
MFG											
Q.A						MATERIAL:		DWG NO.		A4	
						TEMPLATE					
						WEIGHT:		SCALE:1:1		SHEET 1 OF 1	

6 5 4 3 2 1