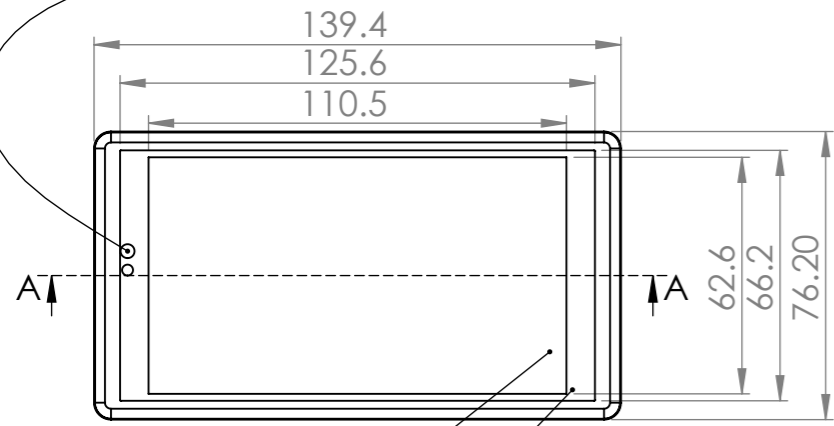
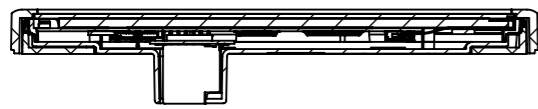


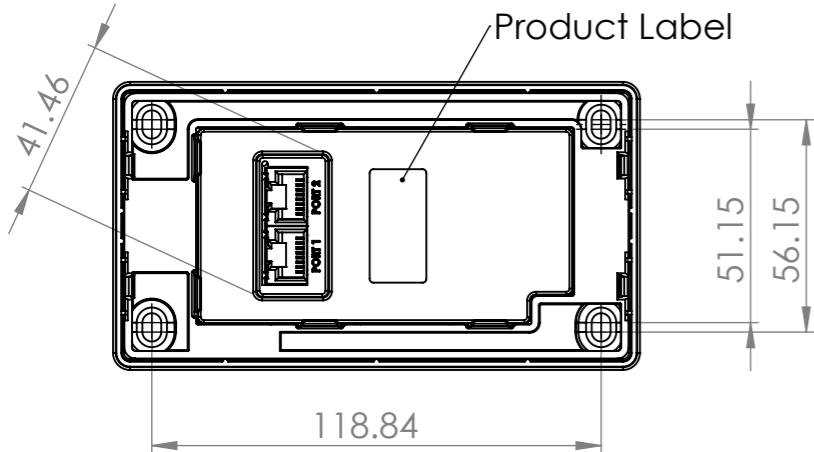
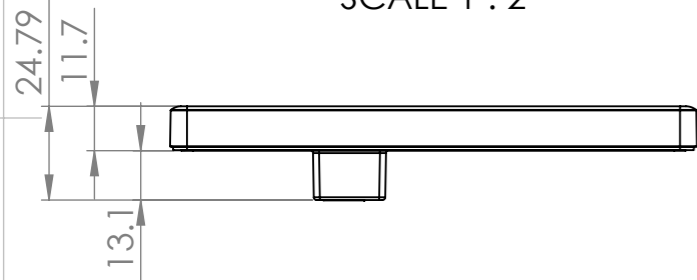
Proxy Sensor Opening



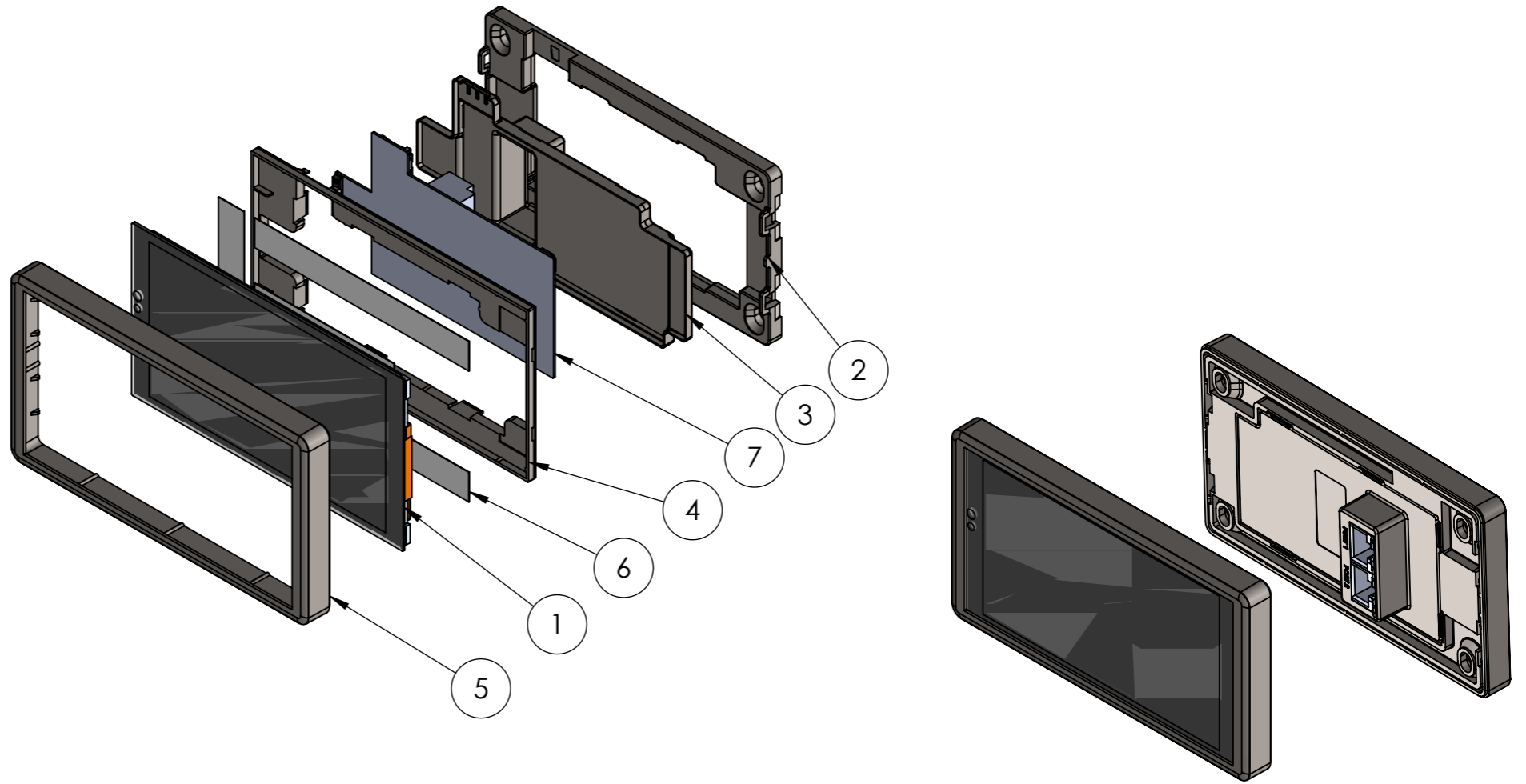
LCD Active Area
LCD Masked Area



SECTION A-A
SCALE 1 : 2



ITEM NO.	PART NUMBER	DESCRIPTION	Material	QTY.
1	4Dsystems_5in_001	LCD Panel - With Capacitive Touch	-	1
2	4Dsystems_5in_004	Mounting Frame	ASA - Electric White	1
3	4Dsystems_5in_005	PCB Cover	ASA - Electric White	1
4	4Dsystems_5in_006	Screen Frame	ASA - Electric White	1
5	4Dsystems_5in_007	Cover Plate	ASA - Electric White	1
6	4Dsystems_5in_009	Adhesive Tape	0.2mm Thick Adhesive Tape	1
7	4Discovery-5.0-REV2.2	PCB	-	1



COPYRIGHT STRICTLY RESERVED
THE DESIGN AND TECHNICAL INFORMATION AS DETAILED ON THIS DRAWING IS THE PROPERTY OF CSR EDMONDS AND IS FOR CONFIDENTIAL USE ONLY. IT IS NOT IN ANY WAY TO BE REPRODUCED, COPIED OR COMMUNICATED IN WHOLE OR PART TO ANY THIRD PARTY OR TO BE USED FOR ANY OTHER PURPOSES WITHOUT THE WRITTEN PERMISSION OF CSR EDMONDS.

UNLESS OTHERWISE SPECIFIED:
DIMENSIONS ARE IN MILLIMETERS
TOLERANCES:
LINEAR: ±0.5mm
ANGULAR: ±0.5°

FINISH:

MATERIAL:

WEIGHT:

3RD ANGLE PROJECTION DO NOT SCALE REVISION 2.2

4D Systems Pty Ltd

4Discovery-5.0 Module

DWG NO. 4Discovery-5.0 REV 2.2 A3

SCALE:1:2 SHEET 1 OF 1

Notes

Option - Fix to drywall with 2 x 8Gx25mm CSK Head Phillips Chipboard Screws

REVISIONS

REV.	DESCRIPTION	DATE	APPROVED
0	Product Release	11/06/2020	4D