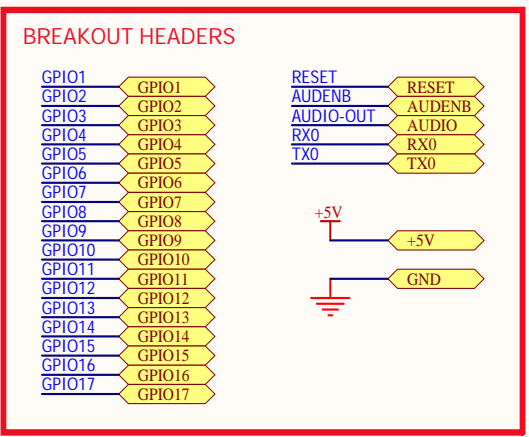
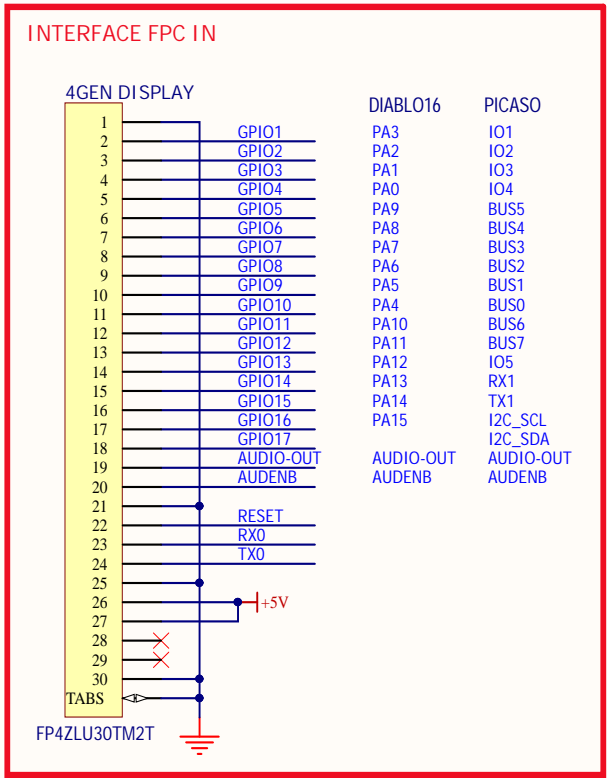
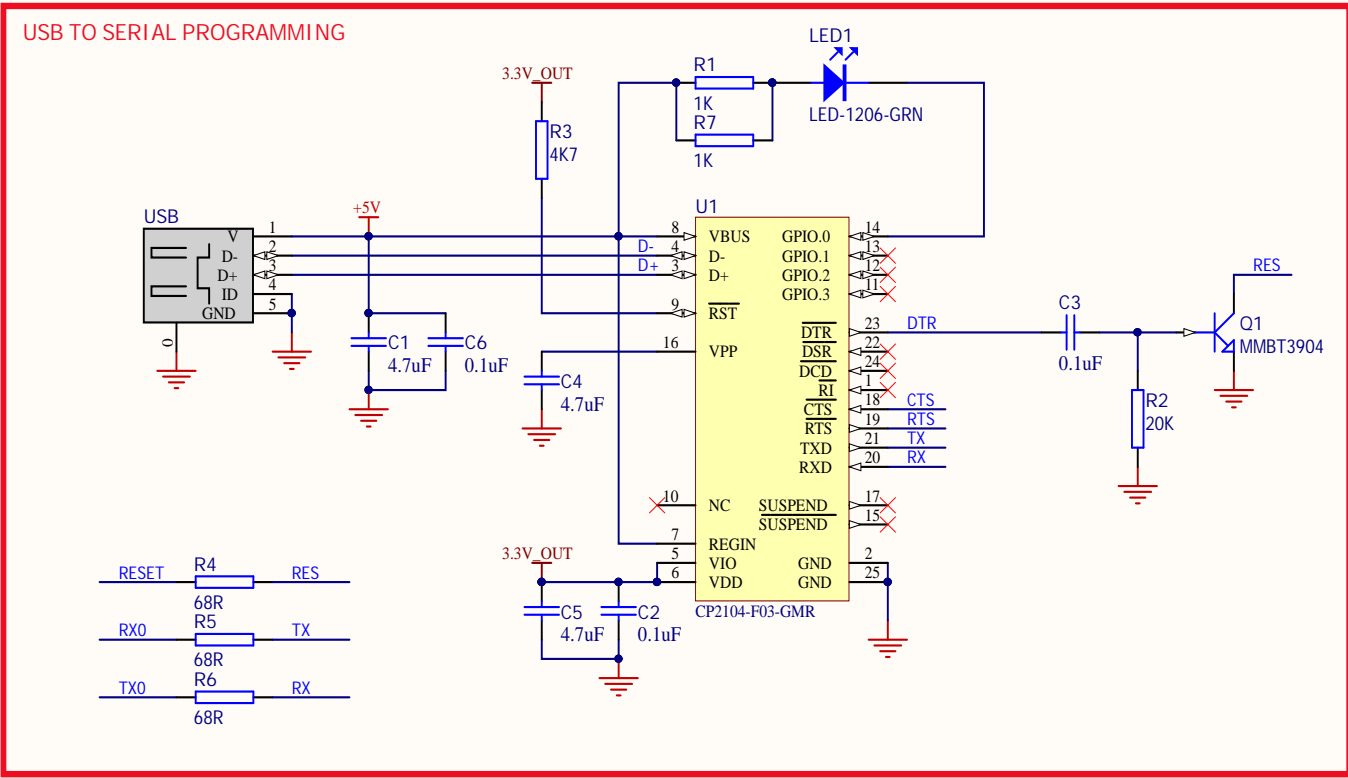


GEN4-PA	DIABLO16	PICASO
GPIO1	PA3	IO1
GPIO2	PA2	IO2
GPIO3	PA1	IO3
GPIO4	PA0	IO4
GPIO5	PA9	BUS5
GPIO6	PA8	BUS4
GPIO7	PA7	BUS3
GPIO8	PA6	BUS2
GPIO9	PA5	BUS1
GPIO10	PA4	BUS0
GPIO11	PA10	BUS6
GPIO12	PA11	BUS7
GPIO13	PA12	IO5
GPIO14	PA13	RX1
GPIO15	PA14	TX1
GPIO16	PA15	I2C_SCL
GPIO17	N/C	I2C_SDA



NOTE: PICASO and DIABLO16 pinouts are quite different, and they feature a different number of GPIO.

This adaptor therefore references the GPIO from the modules as GPIO, rather than platform specific PA / IO / BUS type naming.

Please refer to the map to see the Picaso or Diablo16 GPIO vs those used on this board.

<http://www.4dsystems.com.au>

Title: gen4 Programming Adaptor

Revision: 1.1	
Date: 21/06/2016	
Time: 8:00:39 PM	
File: Gen4-PA-REV1.1.SchDoc	