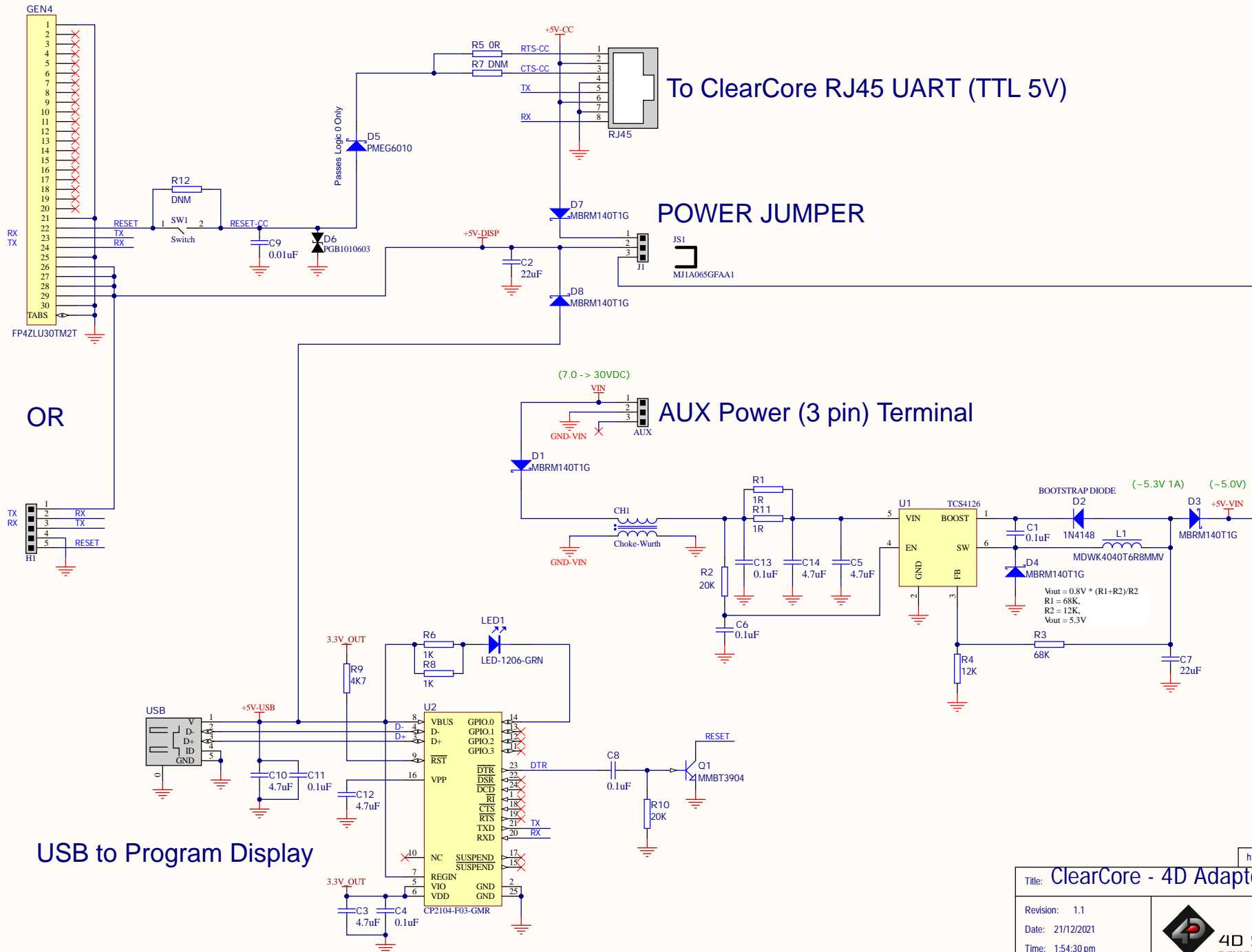


To gen4/pixxiLCD DISPLAY

To uLCD/uOLED DISPLAY




To ClearCore RJ45 UART (TTL 5V)

POWER JUMPER

AUX Power (3 pin) Terminal

USB to Program Display

<http://www.4dsystems.com.au>

Title: ClearCore - 4D Adaptor	
Revision: 1.1	 4D SYSTEMS <small>TURNING TECHNOLOGY INTO ART</small>
Date: 21/12/2021	
Time: 1:54:30 pm	
File: Clearcore-4D-Adaptor-REV1.1.SchDoc	