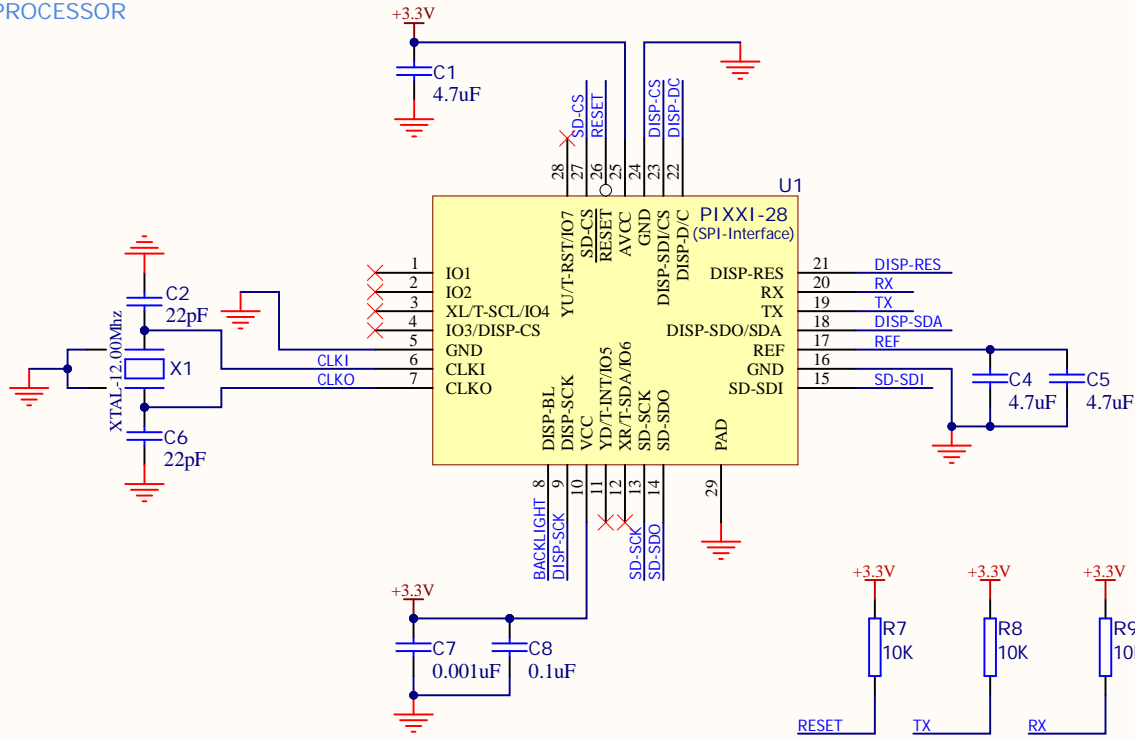
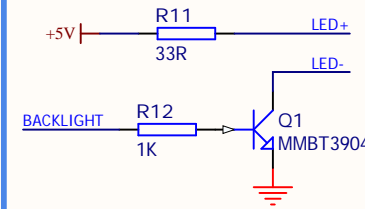


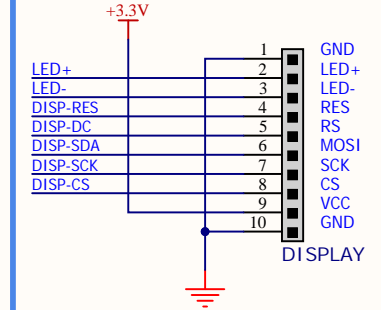
PROCESSOR



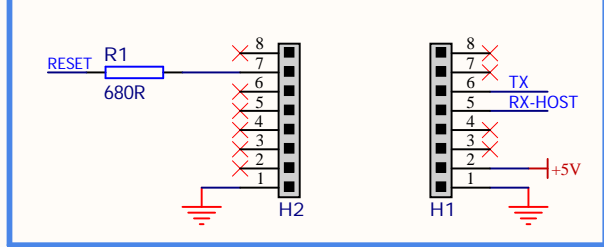
BACKLIGHT



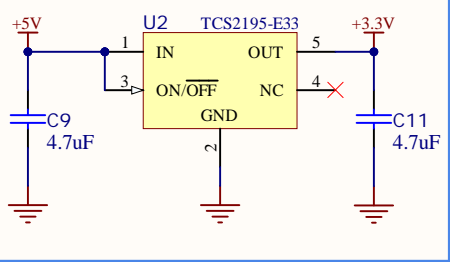
DISPLAY 0.96"



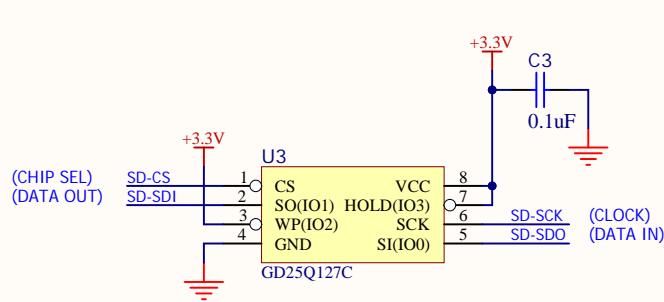
MIKROBUS INTERFACE (ADD-ON BOARD PINOUT)



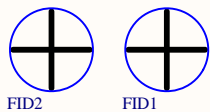
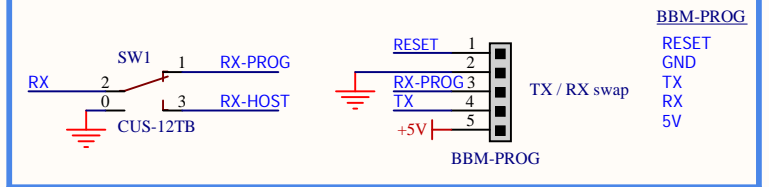
POWER



FLASH MEMORY - SPI BUS



PROG INTERFACE + SWITCH



Title: **TIMI-MB**

Revision: 1.1

Date: 13/04/2022

<http://www.BreadBoardMates.com>