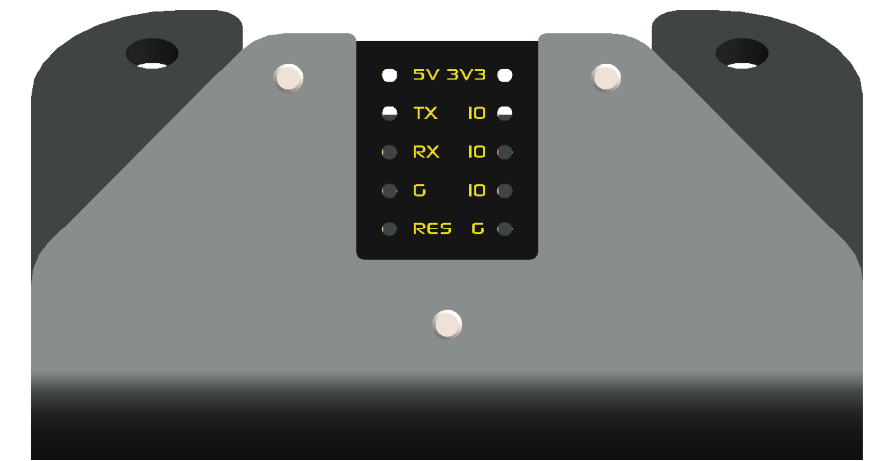
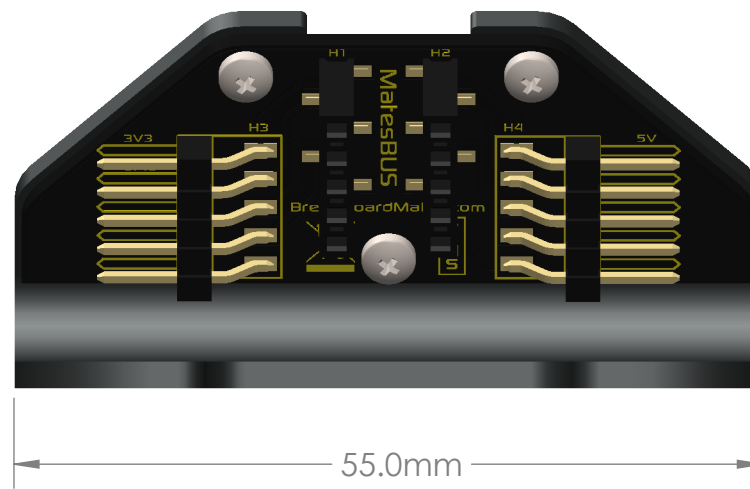
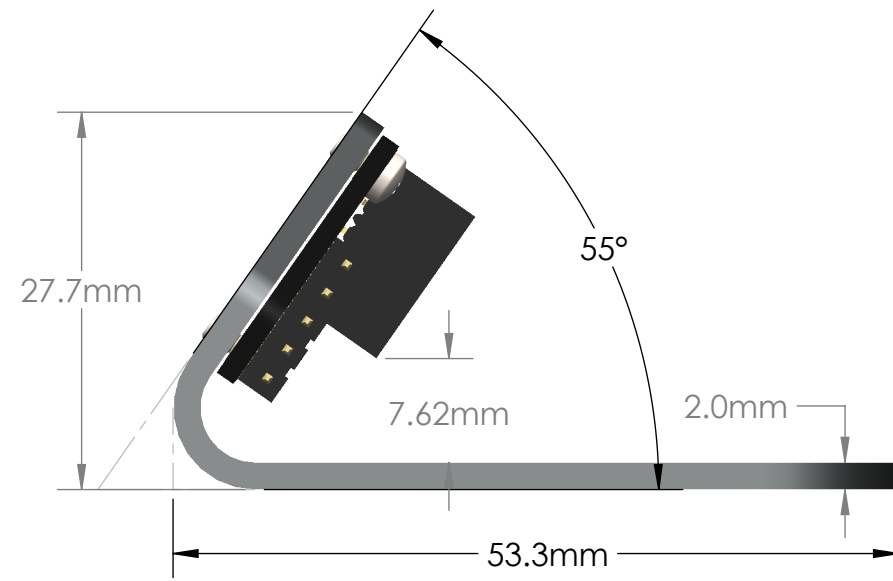
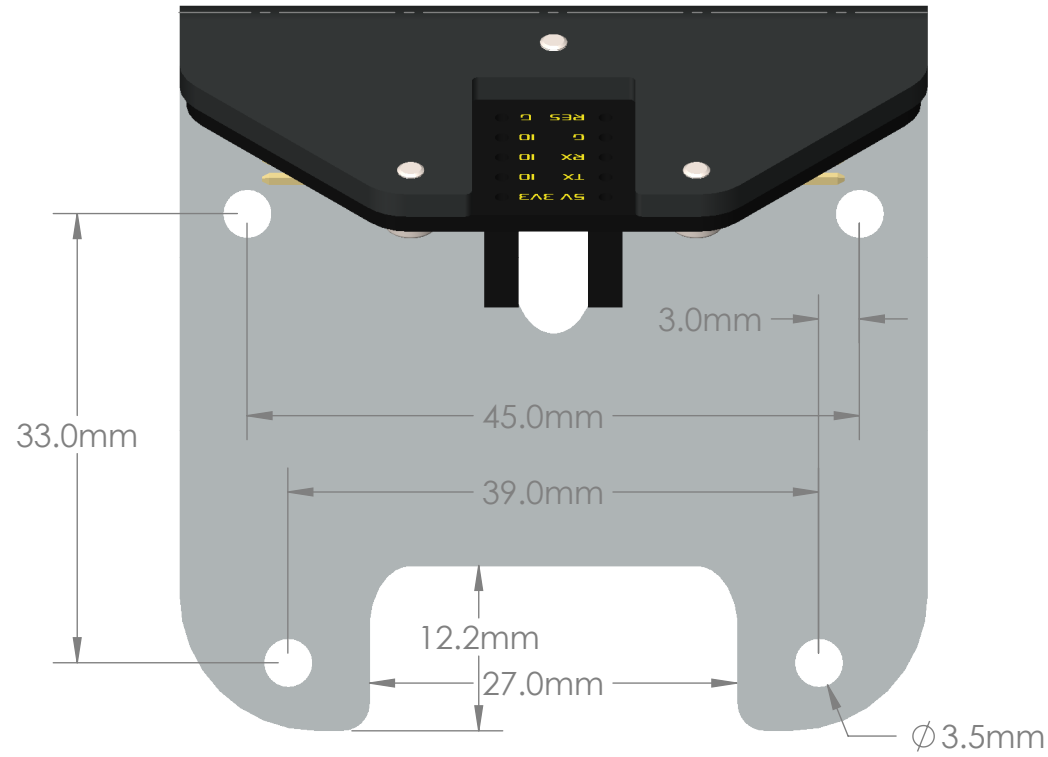


SECTION of PCB



MatesBUS VIEW

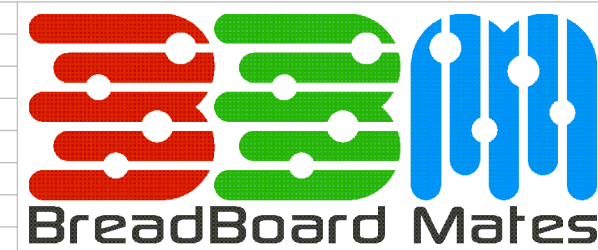
UNLESS OTHERWISE SPECIFIED:  
 DIMENSIONS ARE IN MILLIMETERS  
 SURFACE FINISH:  
 TOLERANCES:  
 LINEAR:  
 ANGULAR:

TITLE:

MatesBUS Stand

A3

	NAME	DATE
DRAWN	BBM	07-07-2021
CHK'D		
APP'VD		



BreadBoard Mates [www.BreadBoardMates.com](http://www.BreadBoardMates.com)