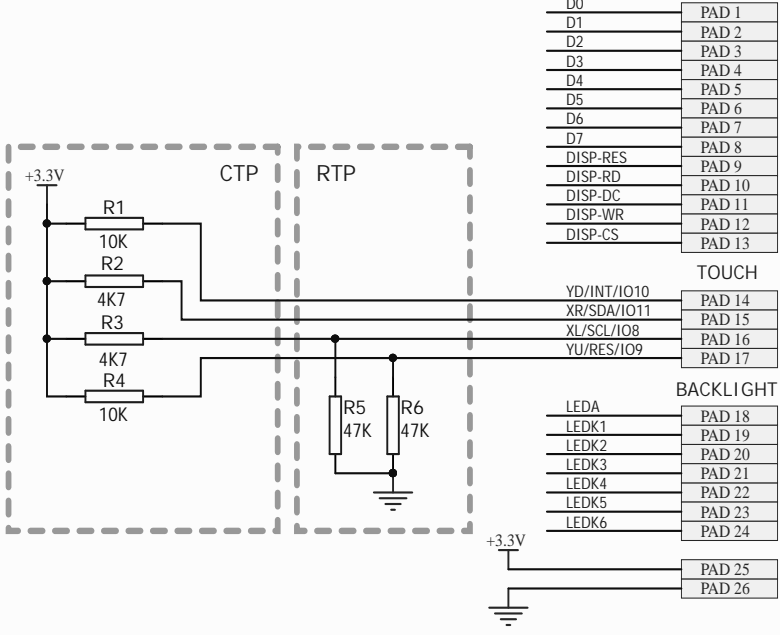
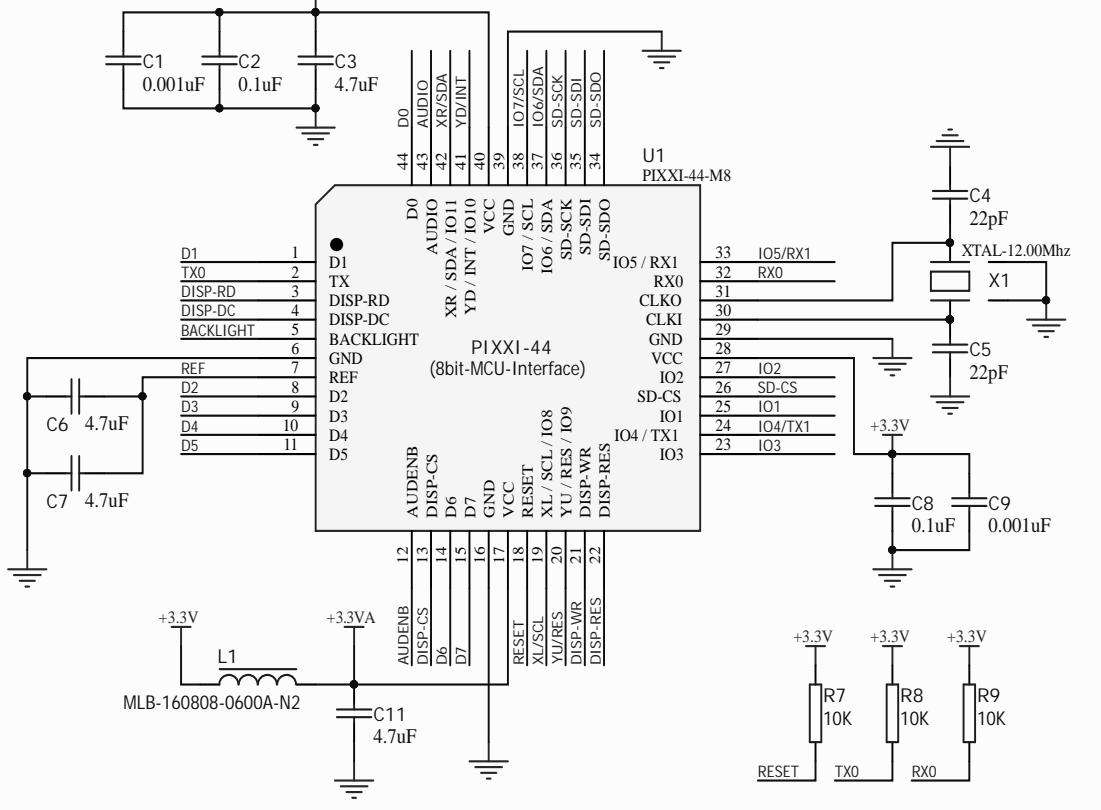


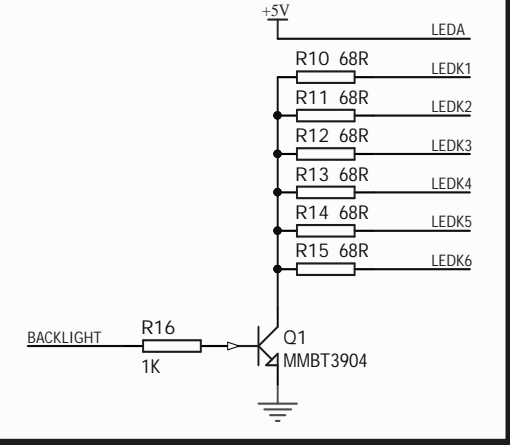
PADS TO LCD GLASS/RTP/CTP/BACKLIGHT



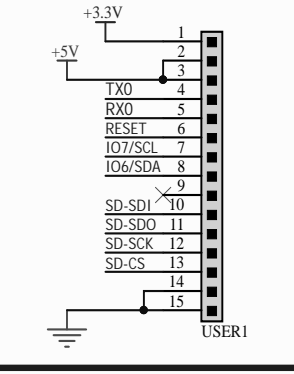
PROCESSOR



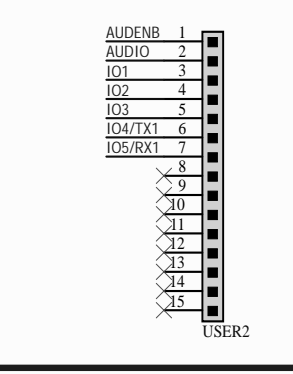
BACKLIGHT



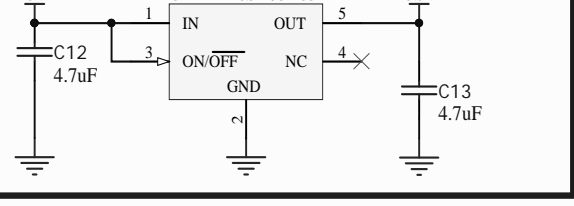
EXTERNAL INTERFACE



EXTERNAL INTERFACE 2



POWER



http://www.4dlabs.com.au

Title: ref-PIXXI44-MODE3

Revision: 1.0

Date: 3/12/2018

Time: 4:52:08 PM

File: ref-PIXXI44-MODE3\_REV1.0.SchDoc