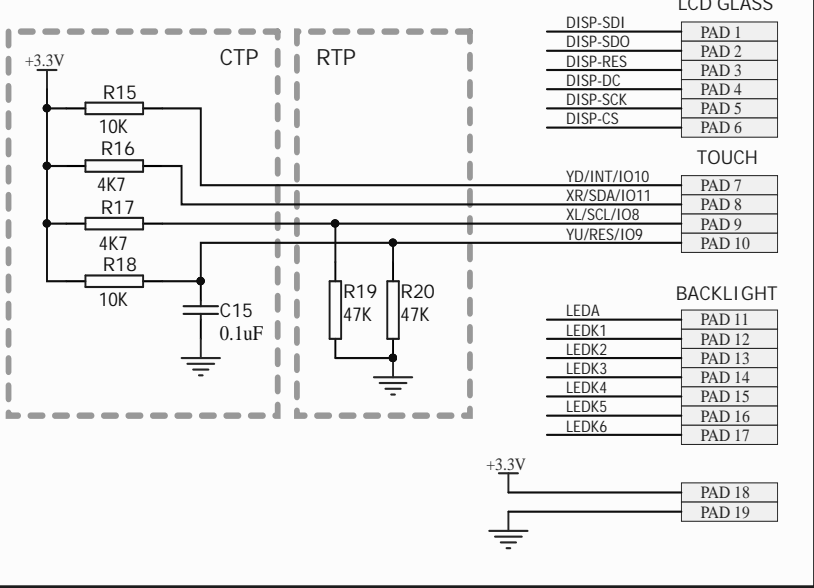
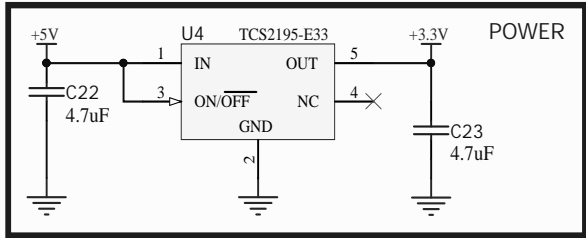
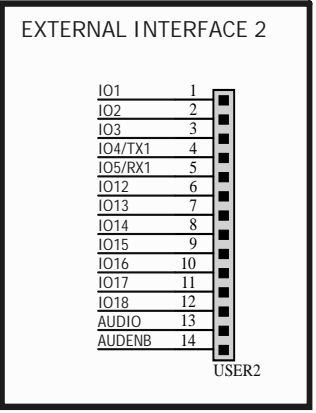
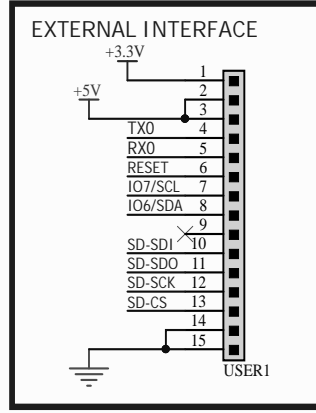
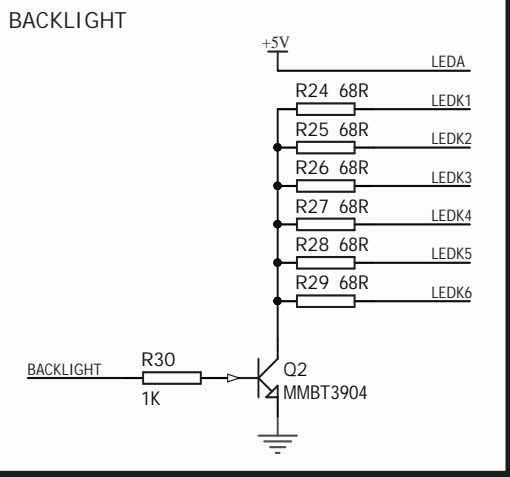
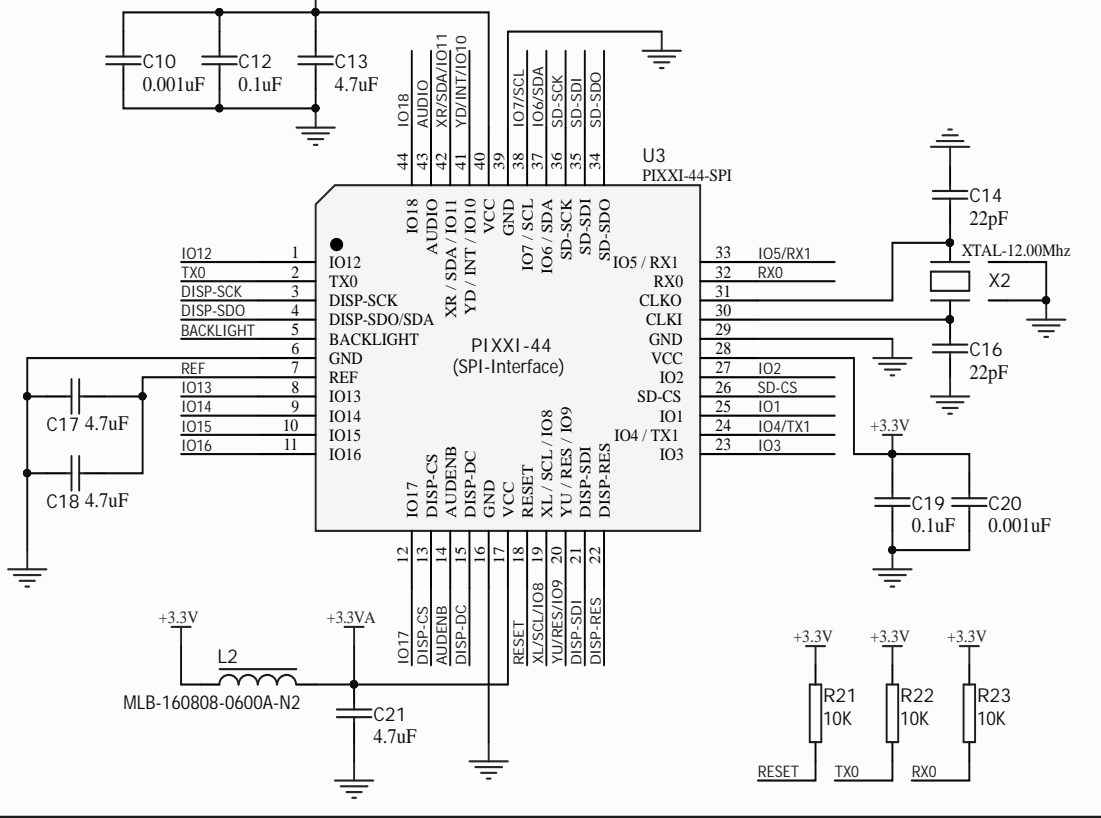


PADS TO LCD GLASS/RTP/CTP/BACKLIGHT



PROCESSOR



http://www.4dlabs.com.au

Title: ref-PIXXI44-MODE2

Revision: 1.0

Date: 3/12/2018

Time: 4:40:59 PM

File: ref-PIXXI44-MODE2_REV1.0.SchDoc