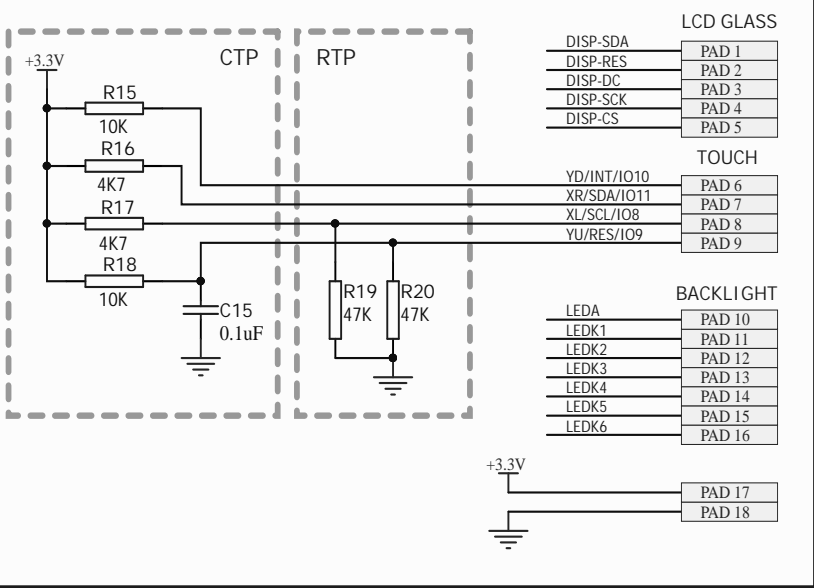
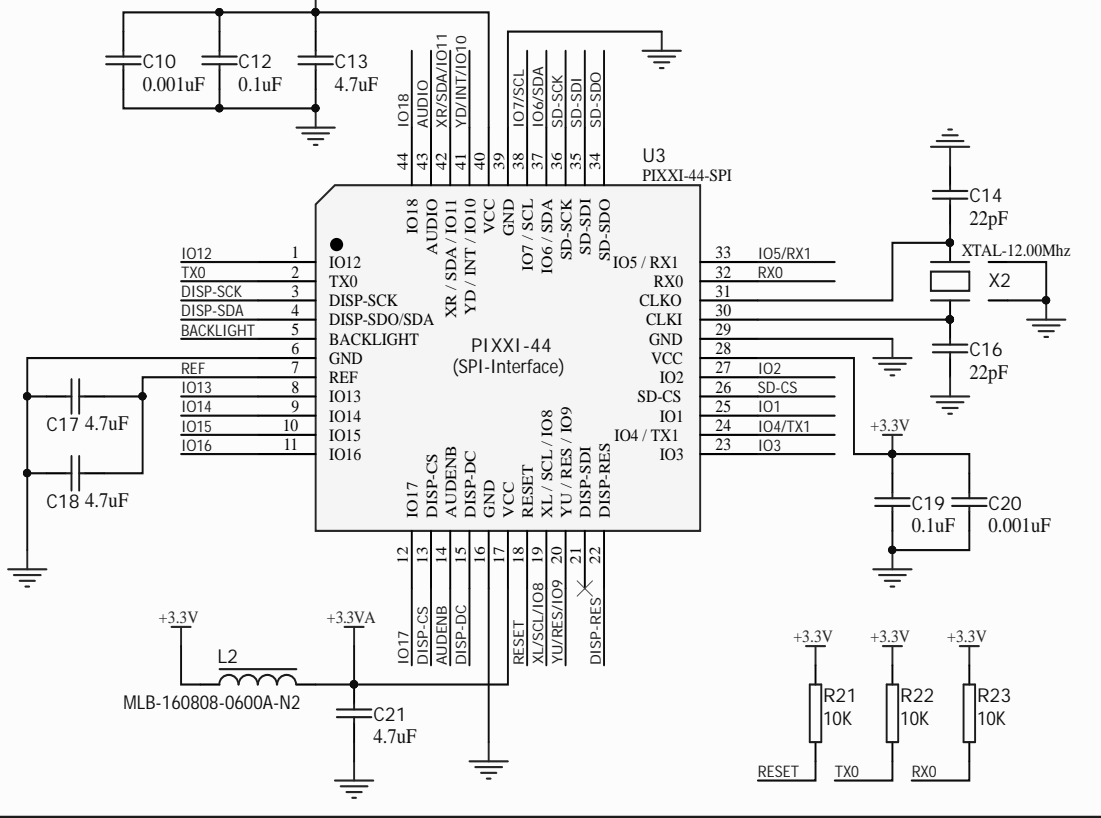


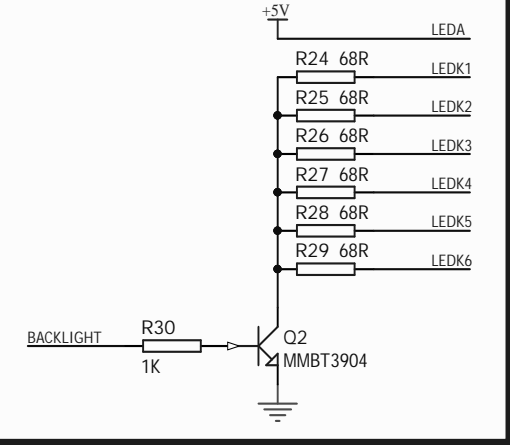
PADS TO LCD GLASS/RTP/CTP/BACKLIGHT



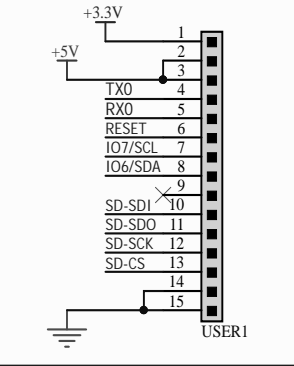
PROCESSOR



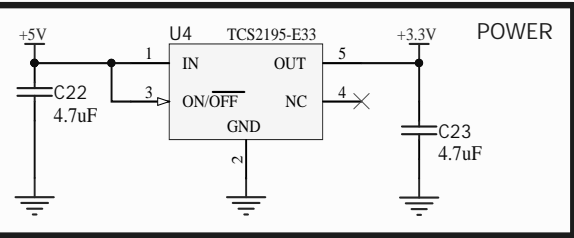
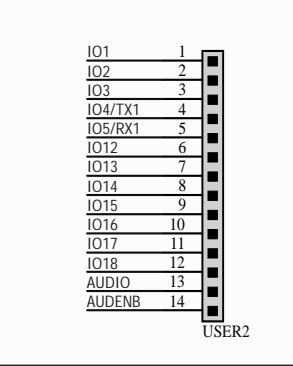
BACKLIGHT



EXTERNAL INTERFACE



EXTERNAL INTERFACE 2



<http://www.4dlabs.com.au>

Title: ref-PIXXI44-MODE1

Revision: 1.0

Date: 3/12/2018

Time: 4:44:59 PM

File: ref-PIXXI44-MODE1\_REV1.0.SchDoc