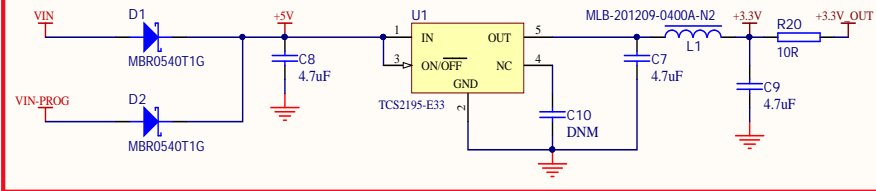
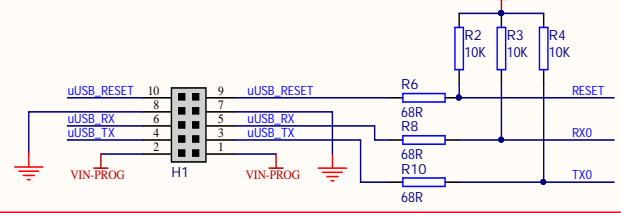


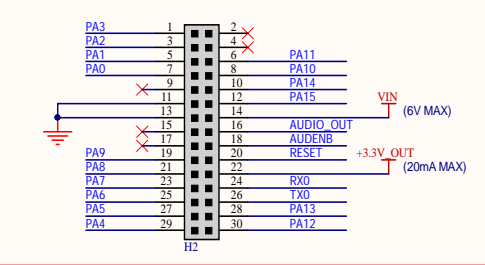
POWER (5V to 3.3V) - 250mA



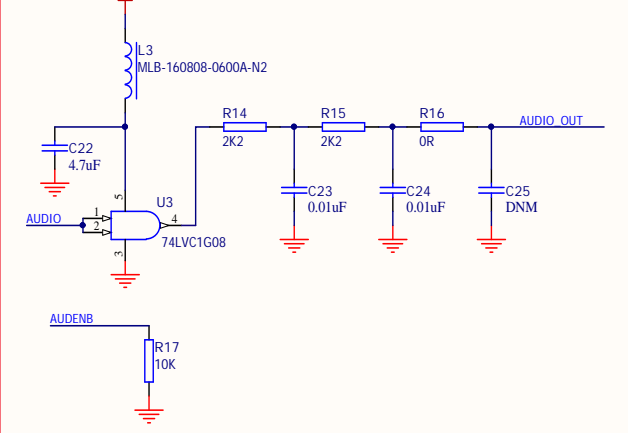
5x2 HEADER



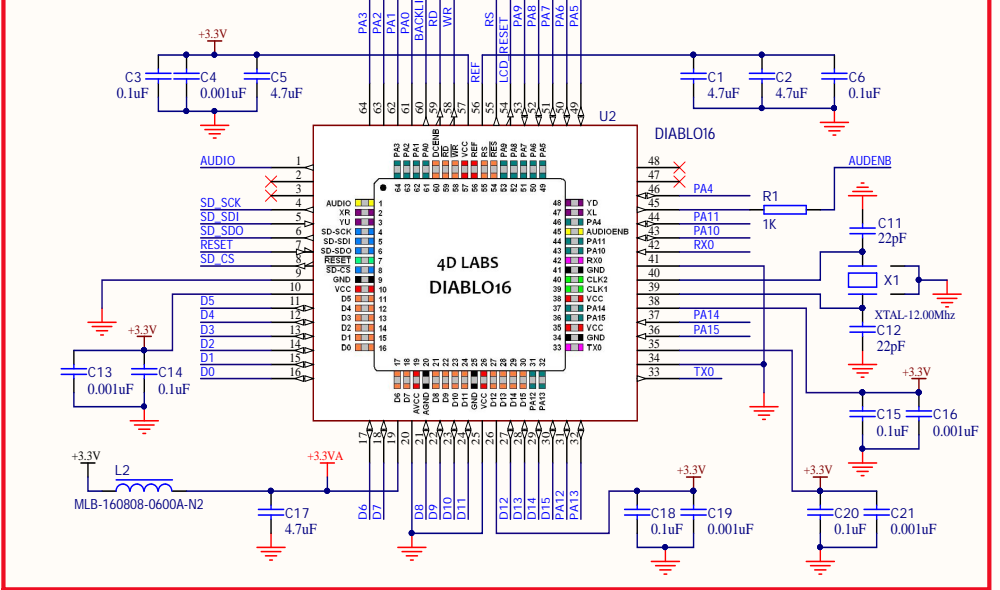
15x2 HEADER



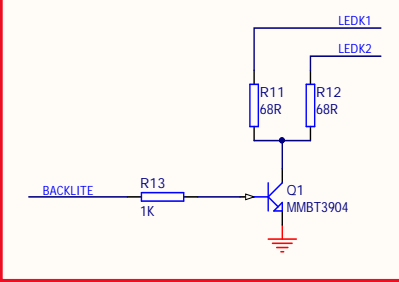
AUDIO



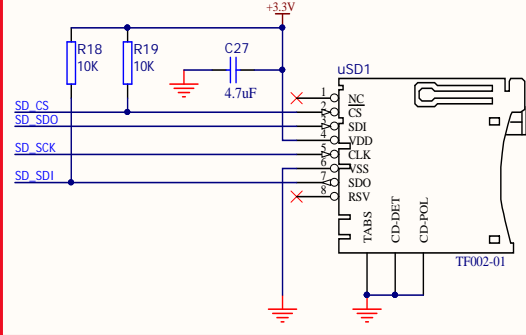
PROCESSOR



BACKLIGHTS



uSD CARD



ROUND LCD DISPLAY

