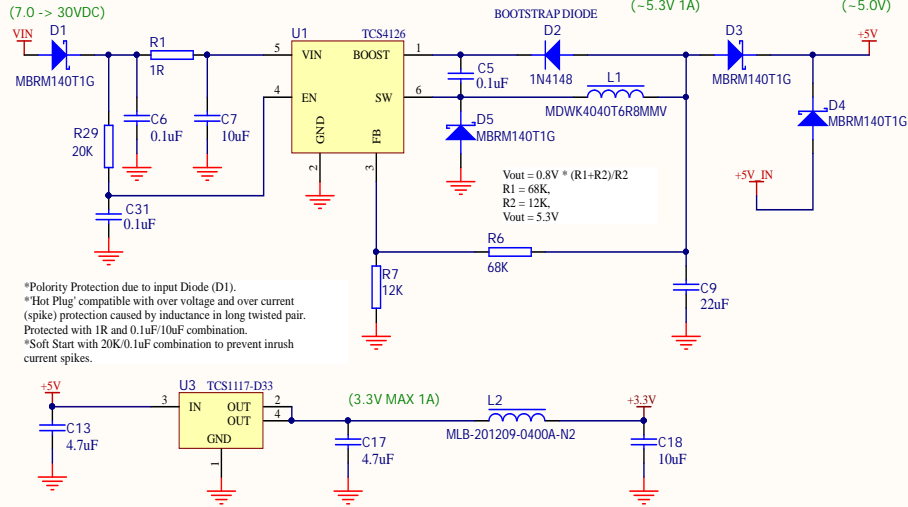
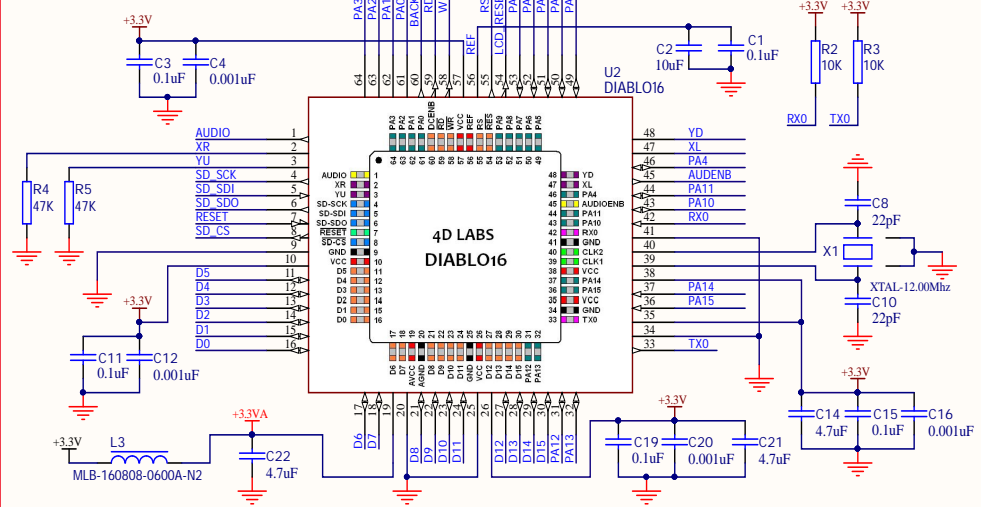


**POWER SUPPLY**

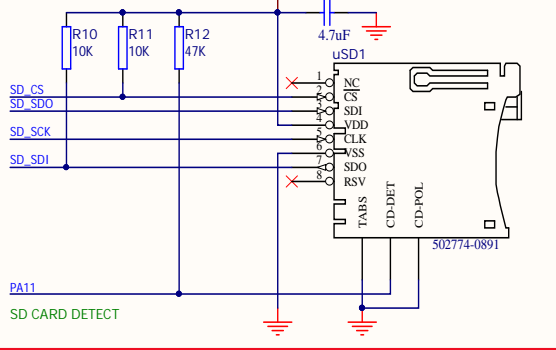


\*Polarity Protection due to input Diode (D1).  
 \*Hot Plug compatible with over voltage and over current (spike) protection caused by inductance in long twisted pair. Protected with 1R and 0.1uF combination.  
 \*Soft Start with 20K/0.1uF combination to prevent inrush current spikes.

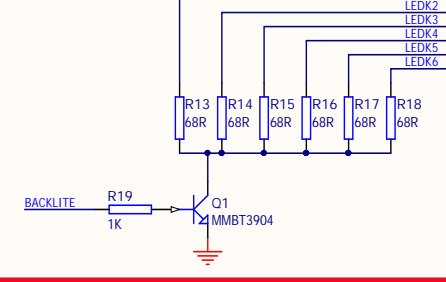
**DIABLO16 PROCESSOR**



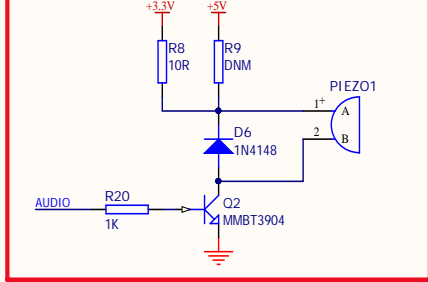
**uSD CARD**



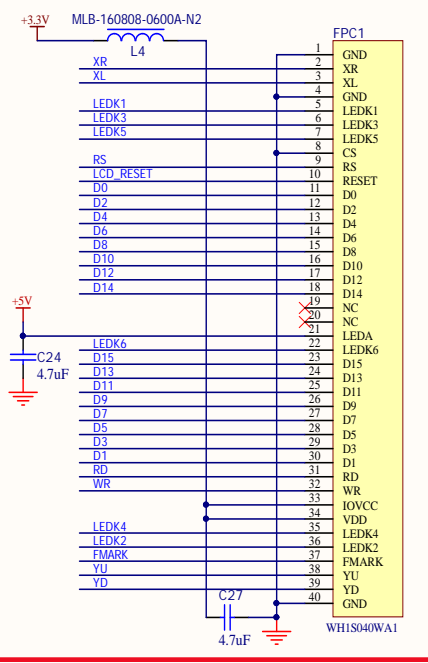
**BACKLIGHTS**



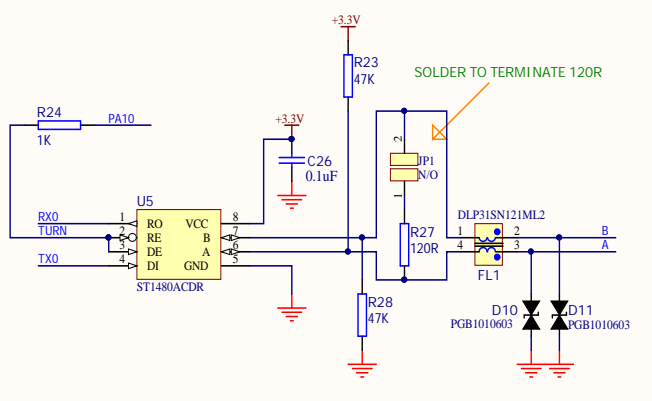
**BUZZER**



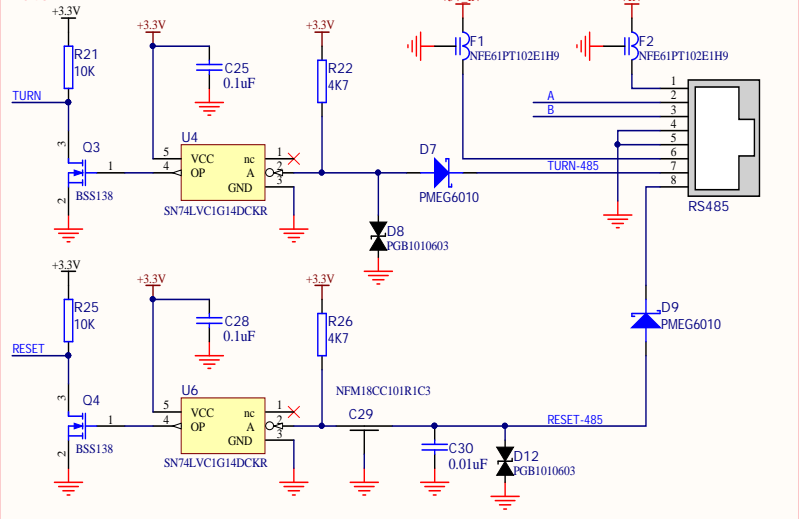
**3.5" DISPLAY**



**RS485 (PMMC CAPABLE)**



**RJ45**



Title: **3.5" Diablo - 4Discovery**

Revision: 4.0  
 Date: 31/07/2018  
 Time: 6:14:57 PM  
 File: 4Discovery-REV4.0.SchDoc



<http://www.Adsystems.com.au>