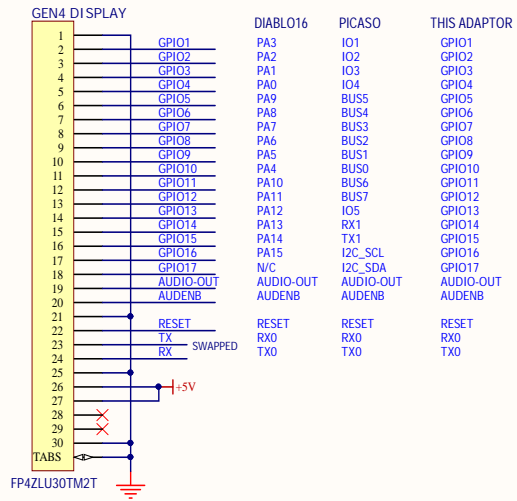


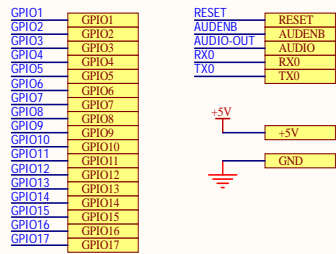
### INTERFACE FPC IN gen4-PA



30 way FFC Cable

### gen4-uLCD BREAKOUT HEADERS

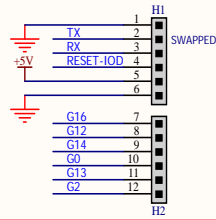
also uLCD and uOLED pads



PADS with optional male pin headers - not included

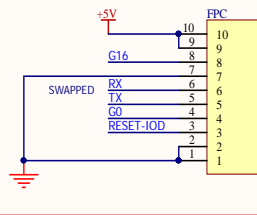
### INTERFACE IoD-09

GO and G16 also for gen4-IoD



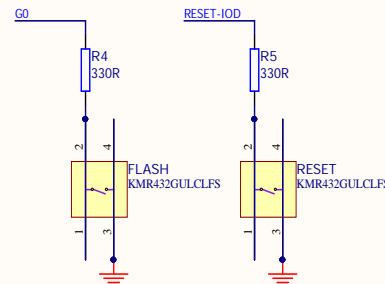
PADS with optional female pin headers (2x 6way) - included

### INTERFACE gen4-IoD



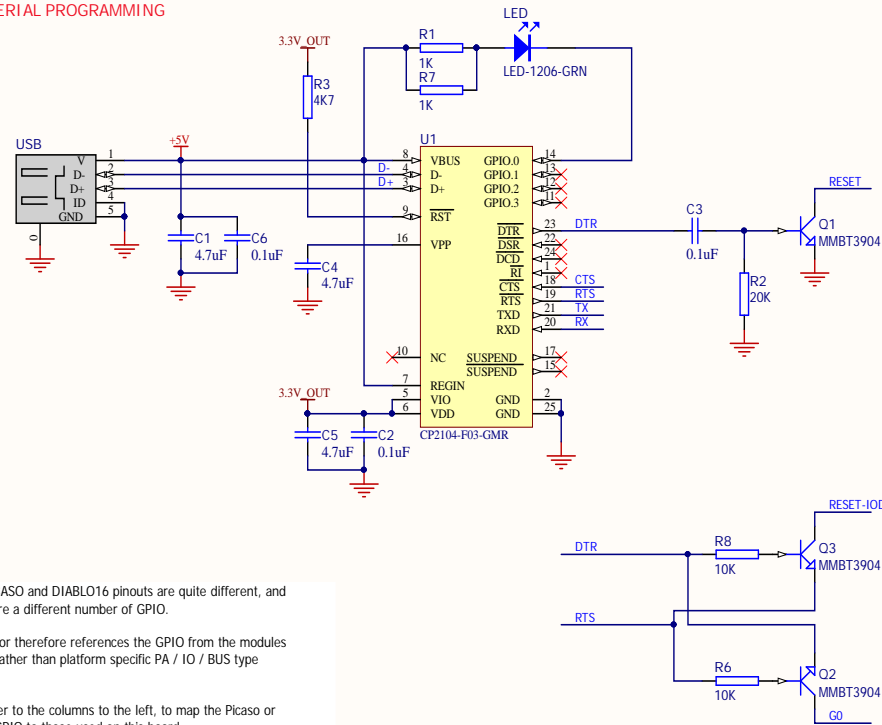
10 way FFC Cable

### FLASH/RESET buttons for both IoD Types



FID1

### USB TO SERIAL PROGRAMMING



NOTE: PICASO and DIABLO16 pinouts are quite different, and they feature a different number of GPIO.

This adaptor therefore references the GPIO from the modules as GPIO, rather than platform specific PA / IO / BUS type naming.

Please refer to the columns to the left, to map the Picaso or Diabolo16 GPIO to those used on this board.