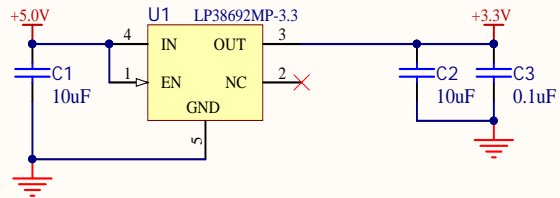
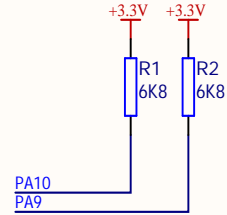


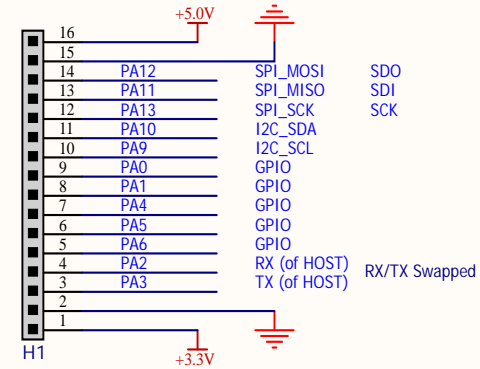
DC IN + 3.3V REG



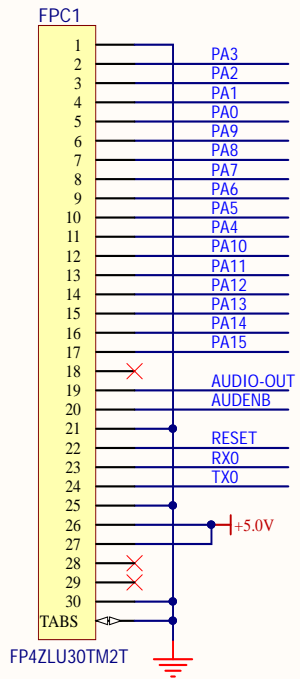
I2C PullUps



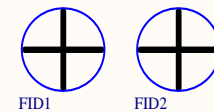
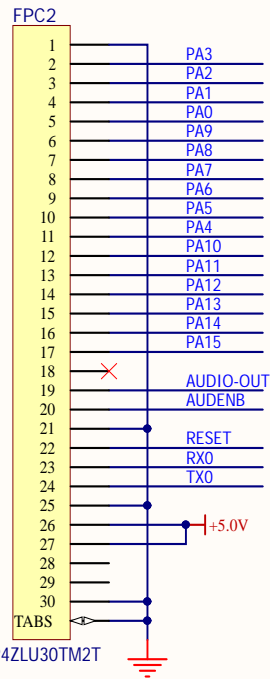
MOTG #1



INTERFACE FPC IN



INTERFACE OUT



<http://www.4dsystems.com.au>

Title: Gen4 2.4" DIABLO MOTG AC1

Revision: 1.1

Date: 16/11/2016

Time: 12:19:26 PM

File: Gen4-MOTG-AC1-REV1.1.SchDoc

